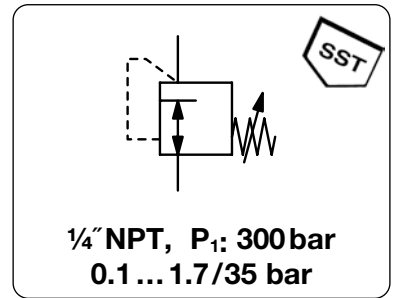


HIGH PRESSURE REGULATOR UP TO 300 BAR

HP500

Description	Piston-operated high pressure regulator HP500R and diaphragm-operated HP500 are marked by high flow and great reliability.		
Media	compressed air, non-corrosive gases or liquids		
Supply pressure	max. 300 bar		
Accuracy	at supply pressure variation of 7 bar: < 120 mbar pressure deviation		
Adjustment	by black plastic knob	Leakage rate	< 2x 10 ⁻⁸ mbar l/s He
Relieving function	non-relieving, optionally relieving	Gauge port	1/4" NPT for inlet / outlet pressure, shifted by 70°
Mounting position	any		
Temperature range	-40 °C to 75 °C / -40 °F to 167 °F		
Material	Body:	brass, optionally stainless steel (spring cage brass), stainless steel completely on request	
	Seals:	FKM	
	Spring cage:	nickel-plated	Valve seat: Teflon PFA
	Inner valve:	stainless steel	Diaphragm: stainless steel

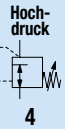


Dimensions			K _v -value	Flow rate		Connection thread	Pressure range	Order number
A	B	C	(m ³ /h)	m ³ /h*1	l/min*1	NPT	bar	D*

High pressure regulator 300 bar			non-relieving, brass	HP500				
50	137	19	0.05	90	1500	1/4" NPT	0.1 ... 1.7	HP500-002
							0.1 ... 3.5	HP500-004
							0.1 ... 7.0	HP500-007
							0.2 ... 17	HP500-017
							0.3 ... 35	HP500-035



HP500

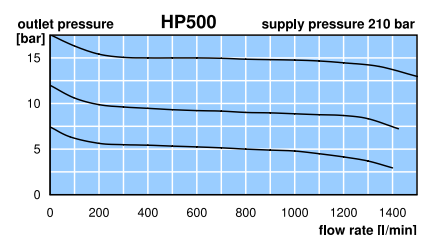
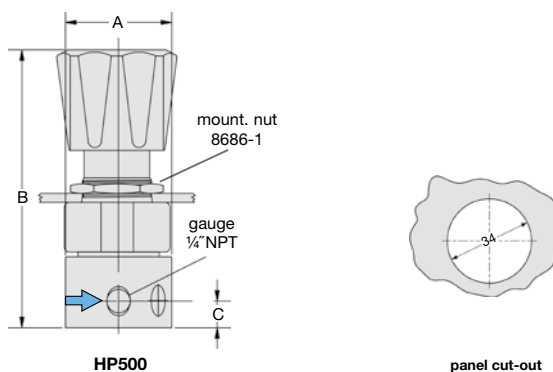


Special options, add the appropriate letter

relieving		HP500-...R
body made of SST		HP500-...S
free of grease and oil	suitable for oxygen, P ₁ < 200 bar	HP500-...L
for liquids	w/o filter at inlet, valve seat of Vespel	HP500-...W
brass pressure gauge	for brass body, inlet side	HP500-...HM
	for brass body, outlet side	HP500-...GM
SST pressure gauge	for stainless steel body, inlet side	HP500-...H
	for stainless steel body, outlet side	HP500-...G

Accessories, enclosed

mounting nut	for panel mounting, made of stainless steel	8686-1
---------------------	---	--------



*1 at 240 bar supply pressure and 30 bar outlet pressure

* Product group

PDF CAD
www.aircom.net



Order example:
HP500-002